

CS-PT300F Series

Flush diaphragm pressure transmitter

☆ Accuracy ± 0.10 、 ± 25 、 $\pm 0.5\%$ F.S

☆ Electronic calibration

☆ Silicon sensing element

☆ Various pressure and electrical connections

☆ Non-polarity two-wire current output

☆ Voltage output

☆ Intrinsic safety certification,

☆ Explosion proof certification

☆ RoHS and CE certification

Applications:

☆ Food industry

☆ Pharmaceutical field

☆ Pressure measurement

for slurry and viscous liquid

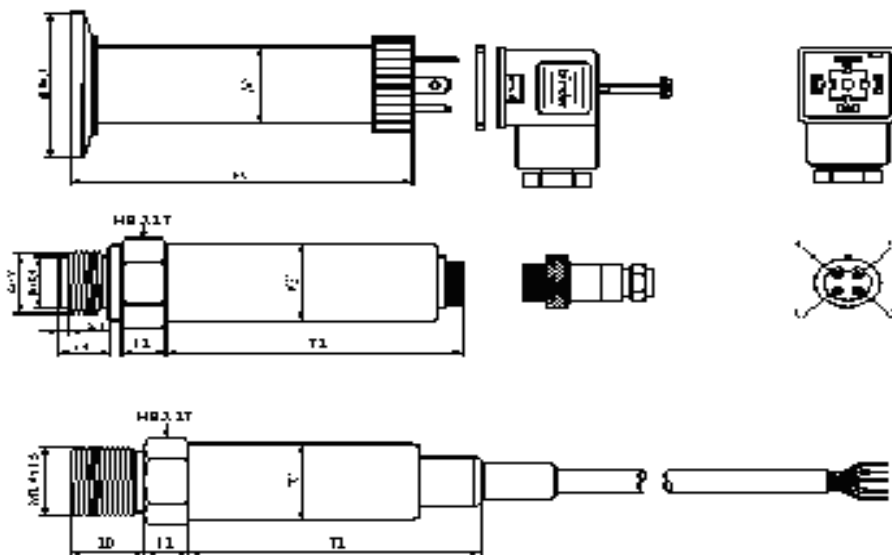


Description

CS-PT300F series of pressure transmitter feature high performance, long term stability and cost effectiveness for special industrial applications such as food, pharmaceutical and chemical liquid pressure measurement. Stainless steel housing, ASIC, high quality sensing element and compact structure ensure the ideal performance in a wide range of applications under a board temperature range.

Various process and electrical connections are available to meet customers' field environments.

Mechanical dimensions



CS-PT300F Series

Technical data

Items	Parameters			Remark	
Measurement range	-0.1MPa...100.0MPa			1MPa≈145PSI	
Overload pressure	2 times of full scale				
Rupture pressure	4 times of full scale				
Accuracy	±0.10%F.S, ±0.25%F.S, ±0.5%F.S				
stability	Typical value: 0.25%F.S, Maximum value: 0.4%F.S				
Operating temperature	-40℃~85℃				
Compensating temperature	-10℃~70℃				
Medium compatibility	All corrosive medium compatible with 1Cr18Ni9Ti				
Electrical features	Two-wire type	Three-wire type	Four-wire type		
Signal output	4~20mA	0~20mA	0~20mA		Also 0~10mA
		0~10Vdc	0~10Vdc		Also 0~5Vdc
Power supply	10~30Vdc	12~30Vdc	12~30Vdc		
Load resistance	(U-10)/0.02(Ω)	Current: (U-12)/0.02(Ω); voltage: >100K Ω			
Insulation	>100M Ω@50V				
Electrical connection	Connection: DIN43650, shell protection: IP65				
	Aviation plug: GX16-7, shell protection: IP45				
IP rate	Shell protection: IP68				
Pressure connection	M20×1.5, M27×1.5, G1/2, G3/4, NPT1/2 stainless steel clamp-on design				
Response time	10ms				
Pressure form	Gauge pressure: G, Absolute pressure: A				
Certification	Intrinsic safety E, Explosion proof D, CE certification, Rohs				
Electromagnetic compatibility	Electromagnetic radiation: EN50081-1/-2; Electromagnetic sensitivity: EN50082-2				