

**Battery powered
Low-Cost Digital manometer**

Digi-10

**Class 1,0%
Ø 66 mm
Backlight
Zero correction**



The battery-powered digital pressure gauge Digi-10 is one cost-effective alternative to a conventional analog Chemical manometer with an accuracy of 1% from the full scale.

Its ideal areas of application are standard applications in the fields of hydraulics, pneumatics, water and wastewater technology and plant and mechanical engineering.

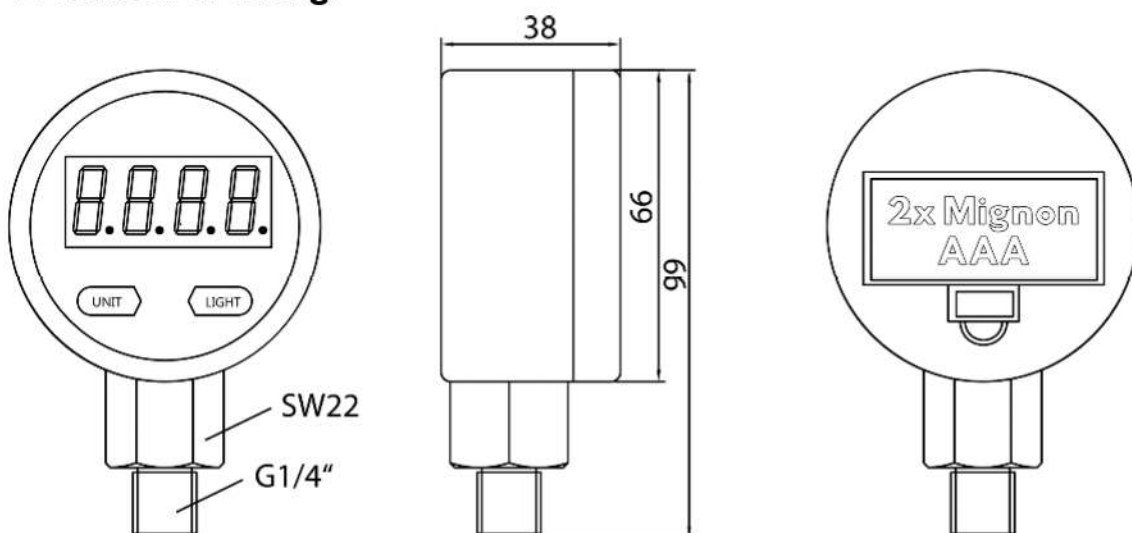
Despite its excellent price-performance ratio, this digital gauge already has a 3-digit LCD display, backlight, zero point correction and the ability to switch between the world's most popular units such as KPa, PSI, Kg/cm², bar and MPa (*depending on the measuring range*).

Functions: Backlight, on/off, zero point correction, change units

Button functions:

Button	Function	Description
Left button	On / Off	Long = On / Off
	Units Shift	Short = Change the units of measure
Right Button	Backlight	Short = Backlight On for 20 seconds
	0-point correction	for 5 seconds = 0-point correction

Technical drawing:



Measuring range	-1-0 bar Vacuum, 0-1,6 bar, 0-2,5 bar, 0-4 bar, 0-6 bar, 0-10 bar, 0-16 bar, 0-25 bar, 0-40 bar, 0-60 bar, 0-100 bar, 0-160 bar, 0-250 bar
Overload limit	< 100bar 200%; ≥ 100bar 150%
Backlit	White
Diameter	65mm
Accuracy	1%FS
Long-term stability	Typical: ±0.2%FS/Jear
Operating temperatur	-10 - 70 °C
Compensation temperature	18 ~30 °C
Electrical protection	EN61326
Sampling rate	2 times/second
Measuring medium	Gas, water, oil and the VA alloys do not attack and are not highly viscous
Connection	Standard G1/4" on request: M10x1, 1/4NPT
Connection material	304 stainless steel (corresponds to1.4301, V2A)
Case	304 stainless steel (corresponds to1.4301, V2A)
Sensor	Ceramics
Seal	< 60bar NBR, ≥ 60bar FKM
Supply	2x Mignon AAA (not included)
Battery life	2400 hours
Weight	0.3Kg

Error Code:

Nr.	Code	Description
1	E-E	Sensor defect
2	E-H	Overpressure or Sensor defect
3	E-P	Entry program of pressure calibration. Switch off to clear operating errors.

**Before the first use
Reset zero point in a depressurized state!**

Manometer switch on ♦ Press the right button (Zero) for 5 seconds.

The warranty expires in the case of improper handling, storage or alteration of the goods, in particular in the event of any intervention by the buyer or third parties, in the event of damage Ingress of dust, sand, Push or fall.

