

# MNDPA



## MANOMETRO DIFFERENZIALE serie : MNDPA

### Differential pressure gauge series : MNDPA

I manometri serie MNDPA sono dei manometri ideati per misurare pressioni positive, negative e differenziali relative all'aria o a gas non corrosivi. Essi vengono utilizzati per visualizzare le condizioni di intasamento dei filtri, misurazione del delta P in camere sterili, controllo HVAC, velocità dell'aria con tubi di Pitot ecc. Il loro principio di funzionamento si basa su una membrana che ad ogni differenza di pressione si sposta trasferendo tale movimento ad un indice per mezzo di un magnete. I manometri serie MNDPA trovano impiego nell'industria farmaceutica e nell'industria manifatturiera.

*The pressure gauges series MNDPA are designed to measure positive, negative or differential pressure of low air and non-corrosive gases. They are widely used for filter condition check, HVAC control, air velocity etc. They have an internal diaphragm and when pressure is applied to both sides of the diaphragm in operation, any difference in pressure causes the diaphragm, the spring that the diaphragm is linked to, and the magnet attached to the spring to move. The movement of the magnet forces the magnetic helix to turn in order to maintain the gap, and the pointer fixed to the helix turns with it.*

**IMPIEGHI manometri MNDPA / MNDPA pressure gauges uses :**

- INDUSTRIA FARMACEUTICA / *Pharmaceutical industry ;*
- INDUSTRIA MANUFATTURIERA / *Manufacturing industry ;*
- CONTROLLO INTASAMENTO FILTRI / *Filter condition check ;*
- CONTROLLO HVAC / *HVAC control.*

CE

## CARATTERISTICHE TECNICO - COSTRUTTIVE DESIGN FEATURES

### CONDIZIONI D'ESERCIZIO :

#### Temperatura massima d'esercizio :

- ambiente : da -7°C a +60°C

**Pressione d'esercizio :** da -68 a 100 KPa

**Sovrappressione :** approssimativamente 15 psi (100 KPa) con tappi aperti

### OPERATING CONDITIONS :

#### Maximum operating temperature :

- ambient: from -7°C to +60°C

**Operating pressure :** from -68 to 100 KPa

**Overpressure :** relief plug opens at approximately 15 psig (100 KPa)

### CARATTERISTICHE COSTRUTTIVE :

**Diametri quadrante :** 100 mm

**Montaggio :** Verticale

#### Precisione :

- 2 % a 21°C ;
- 3% (MNDPA-0.50IN / MNDPAZ-0.5IN / MNDPA-10mm / MNDPA-100Pa - MNDPA125Pa) ;
- 4% (MNDPA-0.25IN / MNDPA-6mm / MNDPA-30Pa / MNDPA-60 Pa).

**Cassa e anello :** Alluminio pressofuso

**Attacchi :** 2 x 1/8" NPT femmina

**Peso :** 460 g

#### Accessori standard :

- 2 tappi 1/8" NPT maschio ;
- 2 raccordi da 1/8" NPT con portagomma ;
- 3 staffe per montaggio a pannello con viti.

### DESIGN FEATURES :

**Dial size :** 100 mm (4")

**Mounting position :** Vertical

#### Accuracy :

- 2 % a 21°C ;
- 3% (MNDPA-0.50IN / MNDPAZ-0.5IN / MNDPA-10mm / MNDPA-100Pa - MNDPA125Pa) ;
- 4% (MNDPA-0.25IN / MNDPA-6mm / MNDPA-30Pa / MNDPA-60 Pa).

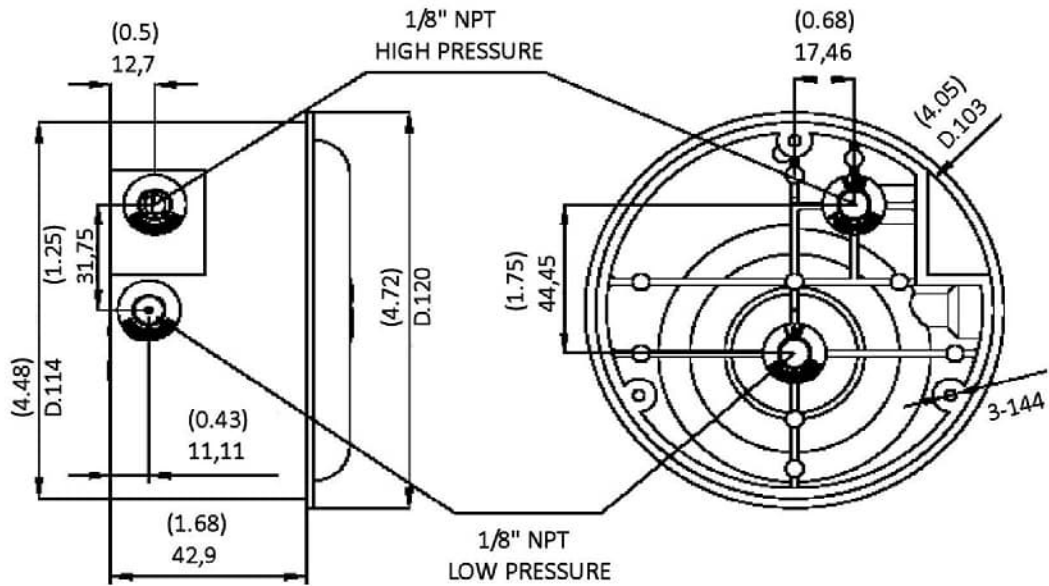
**Case and ring :** Die cast aluminium

**Connections :** 2 x 1/8" NPT female

**Weight :** 460 g

#### Standard accessories :

- 2 x 1/8" NPT plugs for duplicate pressure taps ;
- 2 x 1/8" pipe thread to rubber tubing adapter ;
- 3 flush mounting adapters with screws.



modello / model	scala / range (inH <sub>2</sub> O)
MNDPA-0.25IN	0-0.25
MNDPA-0.50IN	0-0.50
MNDPA-1.0IN	0-1.0
MNDPA-2.0IN	0-2.0
MNDPA-3.0IN	0-3.0
MNDPA-4.0IN	0-4.0
MNDPA-5.0IN	0-5.0
MNDPA-6.0IN	0-6.0
MNDPA-8.0IN	0-8.0
MNDPA-10IN	0-10
MNDPA-15IN	0-15
MNDPA-20IN	0-20
MNDPA-25IN	0-25
MNDPA-30IN	0-30
MNDPA-40IN	0-40
MNDPA-50IN	0-50
MNDPA-60IN	0-60
MNDPA-80IN	0-80
MNDPA-100IN	0-100
MNDPA-150IN	0-150

modello / model	scala / range (Pa)
MNDPA-30Pa	0-30
MNDPA-60Pa	0-60
MNDPA-100Pa	0-100
MNDPA-125Pa	0-125
MNDPA-250Pa	0-250
MNDPA-300Pa	0-300
MNDPA-500Pa	0-500
MNDPA-750Pa	0-750

modello / model	scala / range (Psi)
MNDPA-1PSI	0-1
MNDPA-2PSI	0-2
MNDPA-3PSI	0-3
MNDPA-4PSI	0-4
MNDPA-5PSI	0-5
MNDPA-10PSI	0-10
MNDPA-15PSI	0-15
MNDPA-20PSI	0-20
MNDPA-30PSI	0-30

modello / model	scala / range (KPa)
MNDPA-1KPa	0-1
MNDPA-1.5KPa	0-1.5
MNDPA-2KPa	0-2
MNDPA-3KPa	0-3
MNDPA-4KPa	0-4
MNDPA-5KPa	0-5
MNDPA-8KPa	0-8
MNDPA-10KPa	0-10
MNDPA-15KPa	0-15
MNDPA-20KPa	0-20
MNDPA-25KPa	0-25
MNDPA-30KPa	0-30

modello / model	scala / range (mmH <sub>2</sub> O)
MNDPA-6MM	0-6
MNDPA-10MM	0-10
MNDPA-25MM	0-25
MNDPA-50MM	0-50
MNDPA-80MM	0-80
MNDPA-100MM	0-100

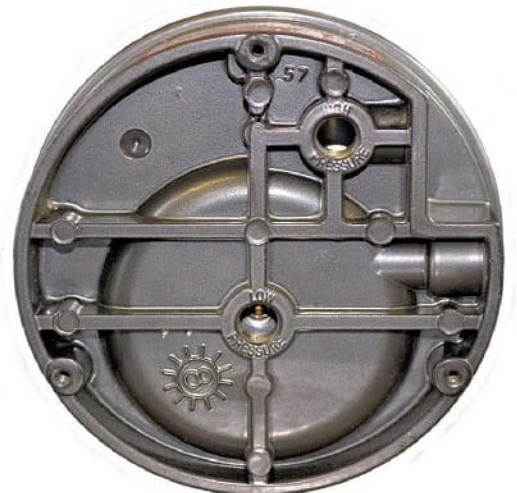
modello / model	scala / range (cmH <sub>2</sub> O)
MNDPA-15CM	0-15
MNDPA-20CM	0-20
MNDPA-25CM	0-25
MNDPA-50CM	0-50
MNDPA-80CM	0-80
MNDPA-100CM	0-100
MNDPA-150CM	0-150
MNDPA-200CM	0-200
MNDPA-250CM	0-250
MNDPA-300CM	0-300

modello / model	scala / range (mmH <sub>2</sub> O)
MNDPAZ-20MM	10-0-10
MNDPAZ-4CM	2-0-2 cmH <sub>2</sub> O
MNDPAZ-10CM	5-0-5 cmH <sub>2</sub> O
MNDPAZ-30CM	15-0-15 cmH <sub>2</sub> O

modello / model	scala / range (Pa)
MNDPAZ-250Pa	125-0-125
MNDPAZ-500Pa	250-0-250
MNDPAZ-1KPa	0.5-0-0.5 KPa
MNDPAZ-3KPa	1.5-0-1.5 KPa

modello / model	scala / range (inH <sub>2</sub> O)
MNDPAZ-0.5IN	0.25-0-0.25
MNDPAZ-1.0IN	0.5-0-0.5
MNDPAZ-2IN	1-0-1
MNDPAZ-4IN	2-0-2
MNDPAZ-10IN	5-0-5
MNDPAZ-20IN	10-0-10
MNDPAZ-30IN	15-0-15

modello / model	doppia scala / double range	
MNDPAD-0.5	0-0.5 inH <sub>2</sub> O	0-125 Pa
MNDPAD-1.0	0-1 inH <sub>2</sub> O	0-250 Pa
MNDPAD-2.0	0-2 inH <sub>2</sub> O	0-500 Pa
MNDPAD-3.0	0-3 inH <sub>2</sub> O	0-750 Pa
MNDPAD-4.0	0-4 inH <sub>2</sub> O	0-1.0 KPa
MNDPAD-6.0	0-6 inH <sub>2</sub> O	0-1.5 KPa
MNDPAD-8.0	0-8 inH <sub>2</sub> O	0-2.0 KPa
MNDPAD-10	0-10 inH <sub>2</sub> O	0-2.5 KPa



### NOTE / NOTES

N.B. In fase d'ordine si consiglia sempre di contattare l'azienda circa la disponibilità del prodotto e la corretta decifrazione del codice.  
*Before order we recommend to contact the company for the pressure gauges availability and the correct deciphering code.*  
 N.B. Eventuali certificati vanno espressamente richiesti in fase d'ordine. Non verranno emessi certificati una volta spedita la merce ordinata.  
*N.B. Any certificates must be request before in the order. They'll not issued after the order.*



**italmanometri** s.r.l.