

Product introduction

Description



Single crystal silicon digital pressure switch

The new generation of PS131 sensors was developed in close coordination with the users. Its modern and userfriendly design stands out. High overload protection and best accuracy.

PS131 is a pressure sensor with a pressure switch to safely and absolutely measure and monitor gauge pressures. It is highly stable and has a function check and onsite information due to its OLED and digital display. It can be rotated up to 350° if placed on the upper part of the house, also the display contents can be rotated up and down.

PS131-TSR-S
PS131-TSR-H

Main parameters

Pressure types	Gauge pressure
Measuring range	1kPa-40Mpa, please refer to the ordering information chapter
Output signal	4-20mA, 0.5-4.5VDC Modbus-RTU/RS 485,PNP or NPN output, customer
Reference accuracy	±0.1%URL

Measuring medium

The fluids which compatible with wetted parts

Field of application

Pressure, level measurement

Approvals



Technical Specifications

Measuring range and limit

Nominal value	Smallest calibratable span	Lower range limit (LRL)	Upper range limit (URL)	Overload limit
6kPa	1kPa	-6kPa	6kPa	25MPa
40kPa	2kPa	-40kPa	40kPa	25MPa
250kPa	12.5kPa	-100kPa	250kPa	25MPa
1MPa	50kPa	-100kPa	1MPa	25MPa
3MPa	150kPa	-0.1MPa	3MPa	25MPa
*10MPa	500kPa	-0.1MPa	10MPa	25MPa
40MPa	5MPa	-0.1MPa	40MPa	42MPa

Above measurement range can be replaced by kg/cm², MPa and kPa units. Provide other measuring range according to requirements. Adjust requirements: lower range value (LRV) and upper range value (URV) can be adjusted within the scope of the upper and lower range limit, smallest calibratable span ≤ | URV-LRV | ≤ upper range limit

*The nominal value of PS131-TSR-H ≤ 10MPa

Standard specifications and reference conditions

Test standard: GB/T28474 / IEC60770; Zero based-calibration span, Linear output, Silicon oil filling, 316L stainless steel isolation diaphragm.

Performance specifications

The overall performance including but not limited to 【reference accuracy】 , 【environment temperature effects】 and other comprehensive error

Typical accuracy: ±0.1URL

Stability: ±0.2% URL/ 5 years

Reference accuracy

Including linearity, hysteresis and repeatability. calibration temperature: 20°C ± 5°C

Linear output accuracy	TD ≤10(Note 1)	±0.1%URL	Nominal value: 6kPa, 40kPa 250kPa, 1MPa 3MPa, 10MPa 40MPa
	10<TD≤20	±0.01% URL	

Note 1: TD is Turn down, TD=URL/ | URV-LRV |

Power supply effects

Zero and span change should not be more than ± 0.005% URL/V

Mounting position effects

Apply to any position. Install error less than 400Pa, which can be corrected by PV=0 reset.

Vibration effects

According to GB/T 1827.3/IEC61298-3 tests, <0.1% URL

Output signal

Signal	Type	Output
4-20mA	Linearity	Three wire
PNP or NPN	Non-Linearity	Three wire
0.5-4.5VDC	Linearity	Three wire
Modbus-RTU/RS485	Linearity	Four wire

Ambient temperature effects(Typical)

Within the range -20-80°C total impact ±(0.1+0.15TD)%URL

Insulation resistance

≥20M Ω@, 100VDC

Disclaimer: all the data used in the product description is not legally binding. Relevant technical details may be changed due to further improve

Technical Specifications

Damping time

Startup after power off : $\leq 3S$
Normal services after data recovery: $\leq 10S$

Weight

Net weight: about 1 kg (without mounting bracket and process connection adaptor)
--

Environment condition

Items	Operational condition
Working temperature	-40-85°C
Storage temperature	-40-85°C
Media temperature	Sensor with silicon oil filling: -40-120°C
Working humidity	0-95%RH@40°C
Protection class	IP67

Technical Specifications

Signal output	4-20mA	0.5-4.5VDC	RS485
Power supply voltage	10-30VDC	12-30VDC	12-30VDC
Electric current	$\leq 60mA$	$\leq 41mA$	$\leq 45mA$
Load resistance(Ω)	$< (U-12)/0.06$	$\geq 5k$, recommend 100k	/
Transmission distance	$< 1000m$	$< 5m$	$< 1200m$
Power consumption	$\leq 1.44W$ (4-20mA+ transistor+ OLED display @24VDC)	$\leq 984mW$ (0.5-4.5VDC + transistor + OLED display @24VDC)	$\leq 1.08W$ (RS485+ transistor + OLED display @24VDC)

*For this output type, the load resistance value in communication is 250 Ω

**The load resistance value 0-2119 Ω is in nominal working condition, 250-600 Ω is HART communication

EMC environment(not RS485 signal output)

NO.	Test items	Basic standards	Test conditions	Performance level
1	Radiated interference	GB/T 9254/CISPR22	30MHz-1000MHz	OK
2	Conducted interference (DC power port)	GB/T 9254/CISPR22	0.15MHz-30MHz	OK
3	Electrostatic discharge immunity test (ESD)	GB/T 17626.2/IEC61000-4-2	4kV(Contact),8kV(Air)	B(Note2)
4	Immunity to radio frequency EM-fields	GB/T 17626.3/IEC61000-4-3	10V/m(80MHz-1GHz)	A(Note1)
5	Power frequency magnetic field Immunity test	GB/T 17626.8/IEC61000-4-8	30A/m	A(Note1)
6	Electrical fast transient / Burst Immunity Test	GB/T 17626.4/IEC61000-4-4	2kV(5/50ns,100kHz)	B(Note2)
7	Surge immunity requirements	GB/T 17626.5/IEC61000-4-5	1kV(Line to line) 2kV(Line to ground) (1.2us/50us)	B(Note2)
8	Immunity to conducted disturbances induced by radio frequency fields	GB/T 17626.6/IEC61000-4-6	3V(150kHz-80MHz)	A(Note1)

(Note 1)Performance level A: The performance within the limits of normal technical specifications.

(Note 2)Performance level B: Temporary reduction or loss of functionality or performance, it can restore itself. The actual operating conditions, storage and data will not be changed.

Menu function

Transmission module type

Output signal	Local control	Remote control
4-20mA	OLED/3 buttons on body	-

LED display unit

Display mode	Details
Pressure & Unit	Two-row display: pressure value and unit
XX.X&P&Unit	Three-row display: percentage, pressure value and unit
SPn&P&RPn	Three-row display: SPn, pressure value and RPn

Unit

Unit	Definition
kPa	Kilopascal
MPa	Megapascals
bar	Bar
psi	Pounds per square inch
mmHg	Millimetre(s) of mercury@0°C
mmH2O	Millimeter of water@4°C
mH2O	Meter of water@4°C
inH2O	Inches of water@4°C
ftH2O	Feet of water@4°C
inHg	Inches of mercury@0°C
mHg	Meter mercury column@0°C
TORR	Torr
mbar	Millibar
g/cm2	Gram per square centimeter
kg/cm2	Kilogram per square centimeter
Pa	PA
ATM	Standard atmospheric pressure
mm	Millimeter(Note 1)
m	Meter(Note 1)
Note 1: length unit need mark medium density	

Measuring menu set

Mark	State
URV	Upper range value, 20mA
LRV	Lower range value, 4mA

Analog output type

Parameters	Output type
mA LINER	Linearity

Alarm signal

Parameter	Description
AOLC	When too small pressure lead to output current < AOLC setting value, display Out<AOLC
AOHC	When too large pressure lead to output current > AOHC setting value, display Out>AOHC

Fix output

Parameter	Fix output value
FIX/C NO	None
3.8000	3.8000mA
4.0000	4.0000mA
8.0000	8.0000mA
12.000	12.000mA
16.000	16.000mA
20.000	20.000mA
20.800	20.800mA

Quick menu

Parameter	Instruction
PV=0	Set current analog output to zero value.(gauge pressure, differential pressure)
Zero adjustment	4mA re-range with pressure
Span adjustment	20mA re-range with pressure
Restore factory setting	Restore backup data when error

Disclaimer: all the data used in the product description is not legally binding. Relevant technical details may be changed due to further improve

产品选型资料

传感器选型

Code	Nominal value	Description
H602G	6kPa	Range -6-6kPa, smallest calibratable span 1kPa
H403G	40kPa	Range -40-40kPa, smallest calibratable span 2kPa
H254G	250kPa	Range -100-250kPa, smallest calibratable span 12.5kPa
H105G	1MPa	Range -0.1-1MPa, smallest calibratable span 50kPa
H305G	3MPa	Range -0.1-3MPa, smallest calibratable span 150kPa
H106G	10MPa	Range -0.1-10MPa, smallest calibratable span 500kPa
S406S	40MPa	Range -0.1-40MPa, smallest calibratable span 5MPa

Adjust requirements: lower range value (LRV) and upper range value (URV) can be adjusted within the scope of the upper and lower range limit, smallest calibratable span \leq |URV - LRV| \leq URL

Code	Position	Instruction
S	Diaphragm material	SUS316L
H		Hastelloy C
S	Isolation fluid filling	Silicon Oil, process temperature: -45-205°C
D		Fluorocarbon oil, process temperature: -45-160°C
F	Sensor seal	Stainless steel welding seal

Isolation diaphragm (S/H)



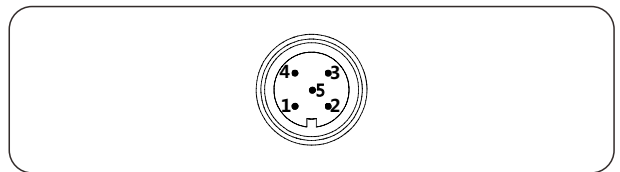
Electrical connection select instruction

Code	Description
H3	Aviation plug, M12*1, 5 pins, IP67

Aviation plug (H3), M12*1 (5 pins)



Aviation plug (H3), M12*1 (5 pins)

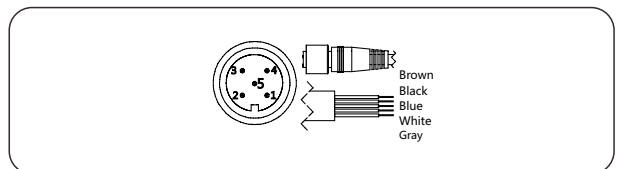


1	2	3	4	5
Power+	RS485A+	Transistor output 1 or 2	Power-	RS485B-
Power+	RS485A+	*Signal+	Power-	RS485B-
Power+	transistor output 1	*Signal+	Power-	Transistor output 2

*Signal type: 4-20mA, 0.5-4.5VDC

Electrical connection accessories

Aviation plug straighter(J3)



1/Brown	2/White	3/Blue	4/Black	5/Gray
Power+	RS485A+	Transistor output 1 or 2	Power-	RS485B-
Power+	RS485A+	*Signal+	Power-	RS485B-
Power+	Transistor output 1	*Signal+	Power-	Transistor output 2

*Signal type: 4-20mA, 0.5-4.5VDC

Product selection instruction

Output signal select instruction

Code	Description
F	4-20mA three wire, power supply: 10-30VDC
R	Modbus-RTU/RS485 5V/9-30VDC
5	0.5-4.5V DC three wire, power supply: 6-30VDC
N	NPN output, power supply: 12-30VDC
P	PNP output, power supply: 12-30VDC
E	With OLED display

Display module (E)



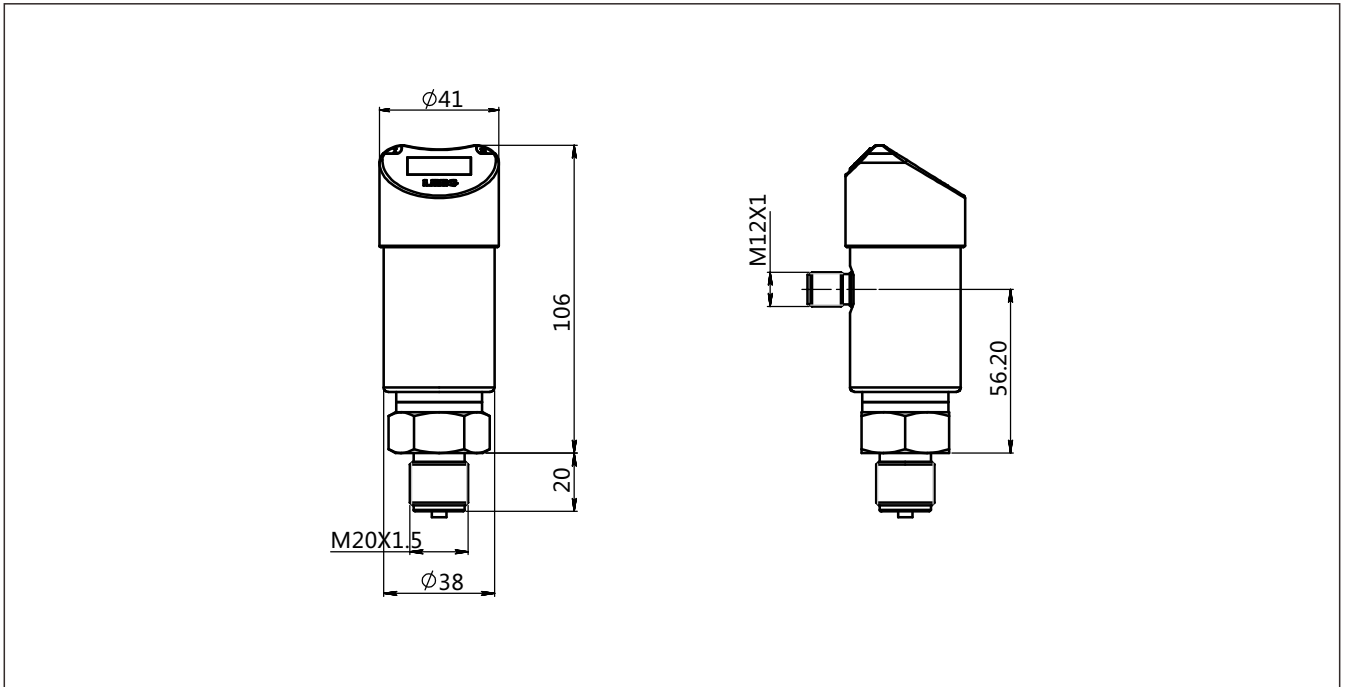
Contact alarm select instruction

Code	Type	Description
1	Output contact	One PNP or NPN output
2		Two PNP or NPN output
C1	First contact alarm value	Customer setting
A1		Factory setting
L1	First alarm method	Lower than alarm value, output high electrical level
H1		Higher than alarm value, output high electrical level
W1		Alarming in window
W2		Alarming out window
C2	Second contact alarm value	Customer setting
A2		Factory setting
L2	Second alarm method	Lower than alarm value, output high electrical level
H2		Higher than alarm value, output high electrical level
W1		Alarming in window
W2		Alarming out window

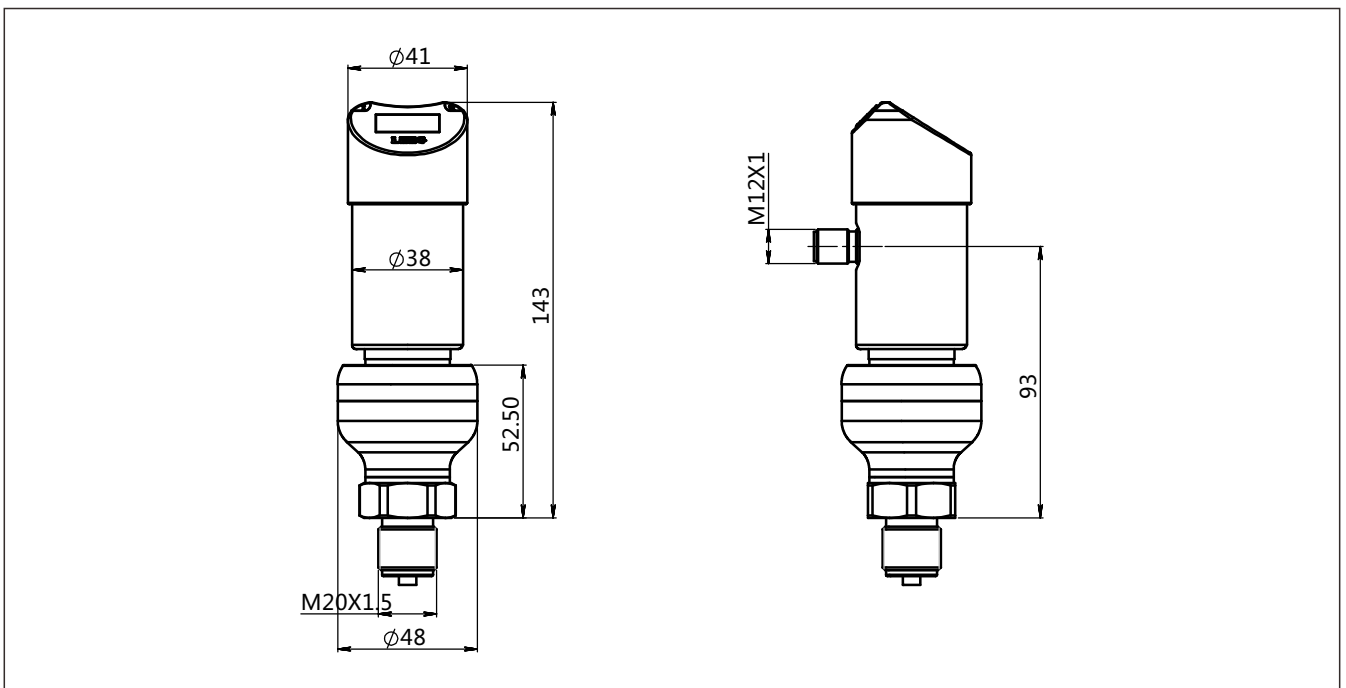
Code	Type	Description
4	Material	SUS304
6		SUS316
M01	Specifications	M20*1.5(M), Φ3 pressure lead hole, GB/T193-2003, ISO261
G01		G1/2(M), Φ3 pressure lead hole, EN837
G02		G1/4(M), Φ3 pressure lead hole, EN837
G08		G1/4(M), Φ3 pressure lead hole, GB/T7037, ISO228, DIN16288, Bs2779, seal reference DIN3852-E(back-end seal)
R01		1/2-14NPT(F), Φ3 pressure lead hole, GB/T12716, ANSI/ASME B1.20.1B1.20.1
R02		1/4-18NPT(M), Φ3 pressure lead hole, GB/T12716, ANSI/ASME B1.20.1B1.20.1
R03		1/2-14NPT(F), Φ3 pressure lead hole, GB/T12716, ANSI/ASME B1.20.1B1.20.1
R04		1/4-18NPT(F), Φ3 pressure lead hole, GB/T12716, ANSI/ASME B1.20.1B1.20.1

Product drawing and dimension

PS131-TSR-S drawing and dimension (unit: mm)



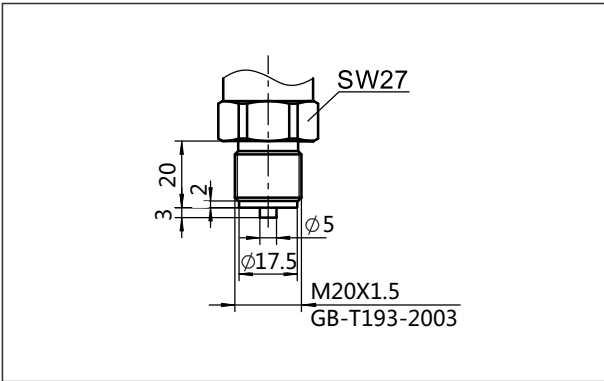
PS131-TSR-H drawing and dimension (unit: mm)



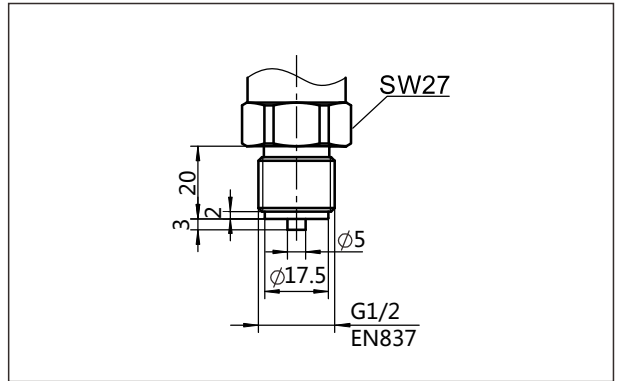
Disclaimer: all the data used in the product description is not legally binding. Relevant technical details may be changed due to further improve

Product drawing and dimension

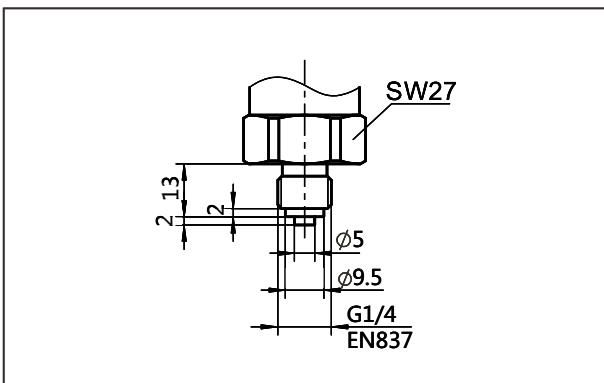
Process connection(M01) (unit: mm)



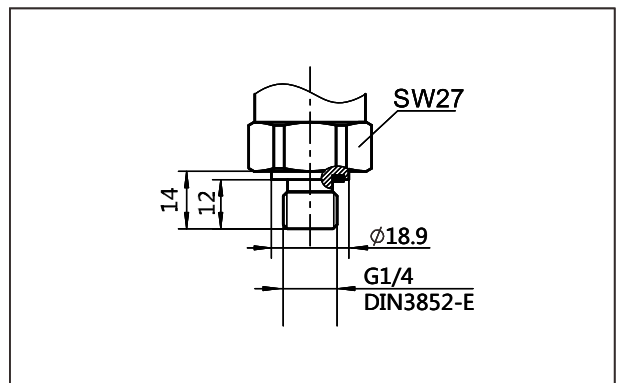
Process connection(G01) (unit: mm)



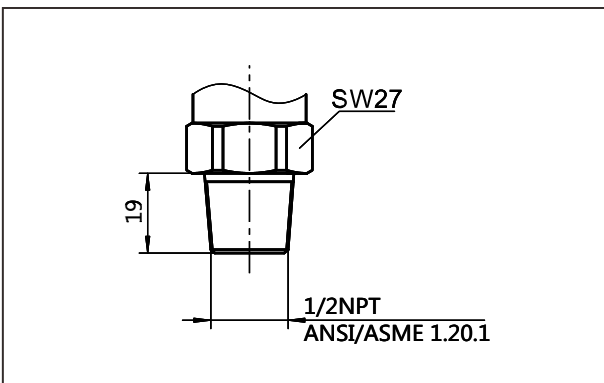
Process connection(G02) (unit: mm)



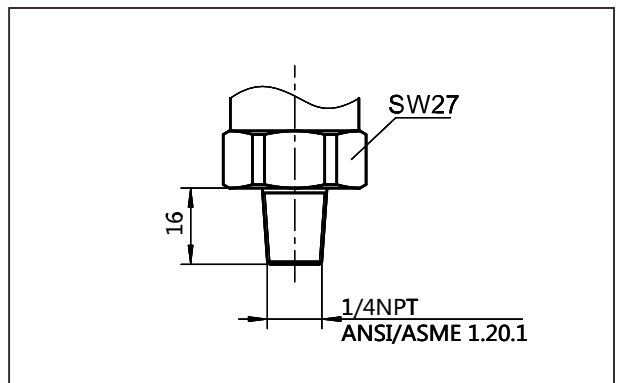
Process connection(G08) (unit: mm)



Process connection (R01) (unit: mm)

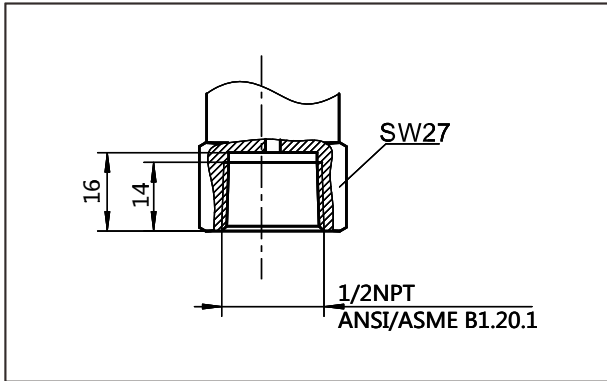


Process connection (R02) (unit: mm)

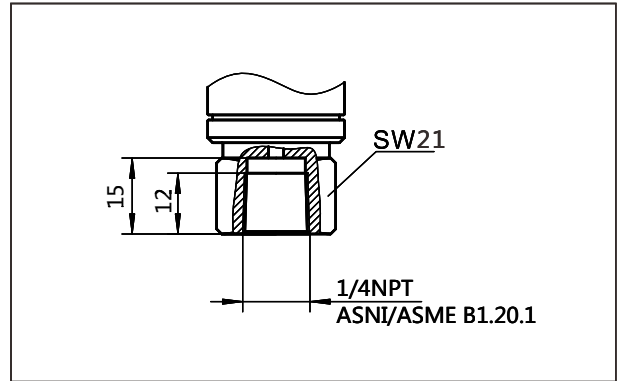


Product drawing and dimension

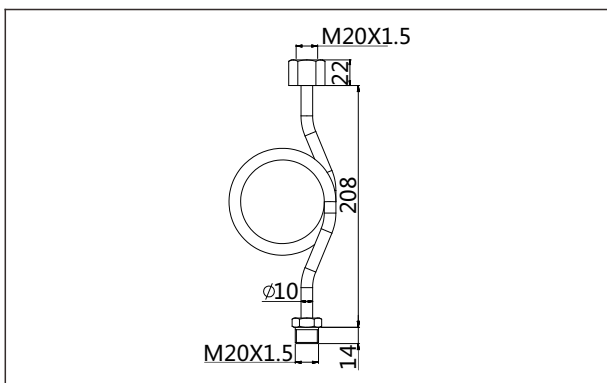
Process connection (R03) (unit: mm)



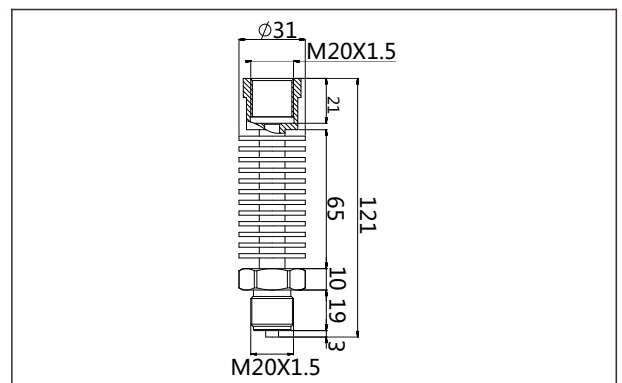
Process connection (R04) (unit: mm)



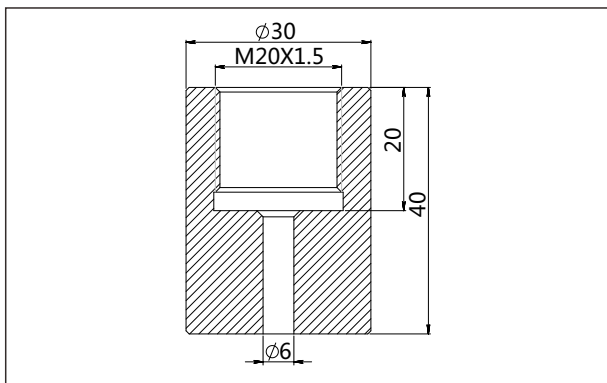
Heat exchange connector (N1) (unit: mm)



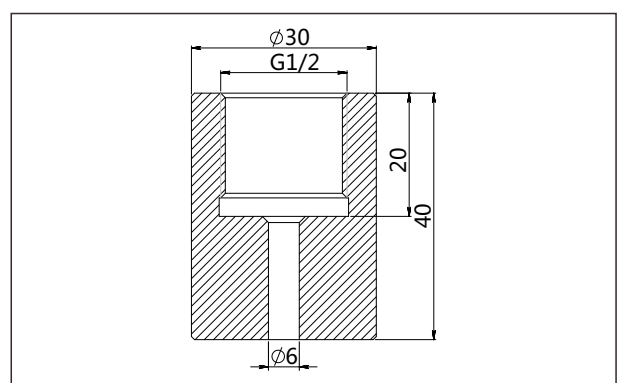
Heat exchange connector (N2) (unit: mm)



Welding adaptor (Z1) (unit: mm)

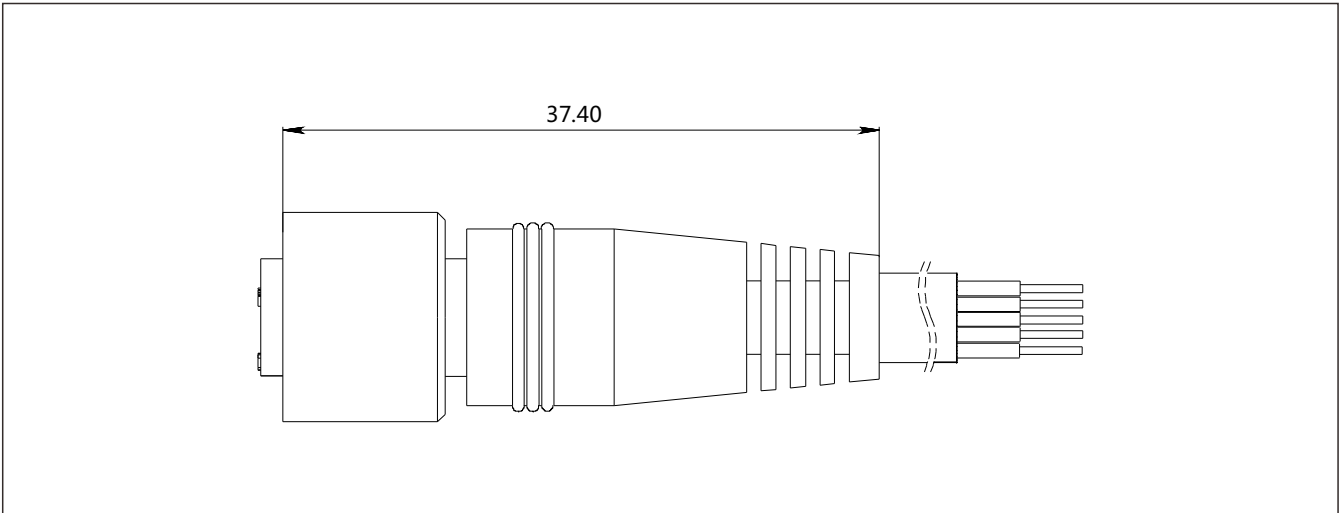


Welding adaptor (Z2) (unit: mm)



Product drawing and dimension

Aviation female plug straighter(J3) (unit: mm)



Ordering information chapter

Item	Parameters	Code	Instruction	(*)Fast delivery available
	Model	PS131-TSR	Single crystal silicon digital pressure switch	
Sensor	Separator	-	Detailed specifications as following	
	Pressure range code	H602G	Nominal value(URL): 6kPa	
		H403G	Nominal value(URL): 40kPa	
		H254G	Nominal value(URL): 250kPa	*
		H105G	Nominal value(URL): 1MPa	*
		H305G	Nominal value(URL): 3MPa	*
		H106G	Nominal value(URL): 10MPa	*
		S406S	Nominal value(URL): 40MPa	
	Isolation diaphragm material	S	SUS316	
		H	Hastelloy C	
	Isolation fluid filling	S	Silicon Oil, process temperature: -45-250°C	
		D	Fluorocarbon oil, process temperature: -45-160°C	
Sensor seal	F	Stainless steel welding seal		
Electrical connction	Separator	-	Detailed specifications as following	
	Electrical connction	H3	M12*1(5 pins), Aviation plug, IP67	
Output	Separator	-	Detailed specifications as following	
	Output signal	F	4-20mA three wire, power supply: 10-30VDC	*
		R	Modbus-RTU/RS485 5V/9-30VDC	
		5	0.5-4.5V DC three wire, power supply: 6-30VDC	
		N	NPN output, power supply: 12-30VDC	
		P	PNP output, power supply: 12-30VDC	
	Output contact	1	One way output contact	
		2	Two way output contact	
	First contact alarm value	C1	Customer setting	
		A1	Factory setting	
	First alarm method	L1	N, P: Lower than alarm value, output high level	
		H1	N, P: Higher than alarm value, output high level	
		W1	Alarming in window	
		W2	Alarming out window	
	Second contact alarm value	C2	Customer setting	
		A2	Factory setting	
	Second alarm method	L2	N, P: Lower than alarm value, output high electrical level	
		H2	N, P: Higher than alarm value, output high electrical level	
		W1	Alarming in window	
		W2	Alarming out window	

Ordering information chapter

Process connection	Separator	-	Detailed specifications as following		
	Material	4	SUS304		
		6	SUS316	*	
	Specification	M01	M20*1.5 (M), Φ3 pressure lead hole, GB/T193-2003, ISO261		*
		G01	G1/2 (M), Φ3 pressure lead hole, EN837		*
		G02	G1/4(M), Φ3 pressure lead hole, EN837		
		G08	G1/4(M), Φ3 pressure lead hole, GB/T7307, ISO228, DIN16288, BS2779, seal refers to DIN3852-E (back-end seal)		
		R01	1/2 -14NPT(M), Φ3 pressure lead hole, GB/T12716, ANSI/ASME B1.20.1		*
		R02	1/4 -18NPT(M), Φ3 pressure lead hole, GB/T12716, ANSI/ASME B1.20.1		
		R03	1/2 -14NPT(F), Φ3 pressure lead hole, GB/T12716, ANSI/ASME B1.20.1		
R04	1/4 -18NPT(F), Φ3 pressure lead hole, GB/T12716, ANSI/ASME B1.20.1B1.20.1				
Additional options	Separator	-	Detailed specifications as following(multiple)		
	Factory setting pressure alarm value	/A1-XXX	Heat exchange connector, M20*1.5 (F) change to M20*1.5(M), SUS304		
		/A2-XXX	Heat exchange connector, M20*1.5 (F) change to M20*1.5(M), SUS304		
	E lectrical connection accessory	/J3	Aviation female plug (straighter) with 2m cable, 5 pins, M12*1, IP67		
	Process connection mounting accessory	/N1	Heat exchange connector, M20*1.5 (F) change to M20*1.5(M), SUS304		*
		/N2	Heat exchange connector, M20*1.5 (F) change to M20*1.5(M), SUS304		*
	Process connection accessory	/Z1	Welding connector, M20*1.5(F), SUS304		*
		/Z2	Welding adaptor, G1/2(F), SUS304		*
	Display mode	/D1	According to your requirement		
	Calibration report	/Q1	Calibration report provided by our company		
	Approvals (multiple)	/E1	Flame proof certificate, ExdIICT6, NEPSI		*
/I1		Intrinsic safety certificate, ExiaIICT4, NEPSI(Please consult with engineers)		*	
/L3		CE certificate		*	

Factory settings and parameters

Item	Menu mark	Factory setting value
Tag position	None	0(No specific settings)
Analog output type	mA	Liner(No specific settings)
Display mode	DISP	PV(No specific settings)
Alarm signal	ALARM	No(No specific settings)

Item	Menu mark	Factory setting value
Damping value	DAMP	0(No specific settings)
4mA Lower range value	LRV	According to the order value
20mA Upper range value	URV	According to the order value
Process unit	U	According to the order

Approvals

Factory certificate

Certification organization	Intertek
Quality management system	ISO9001-2008
Scope of certification	Design and production of pressure transmitter
Registration number	110804039

CE

License scope	PRESSURE TRANSMITTER
Standard	EN61000-6-2 : 2005
	EN61000-6-4 : 2007
Registered number	AC/0100708