

SPP Series

Plastic Chemical Seal

Chemical seals made with high resistance to corrosion and chemical incidences plastic materials. Specially indicated to be installed in chemical process plants and waste water purifying plants.



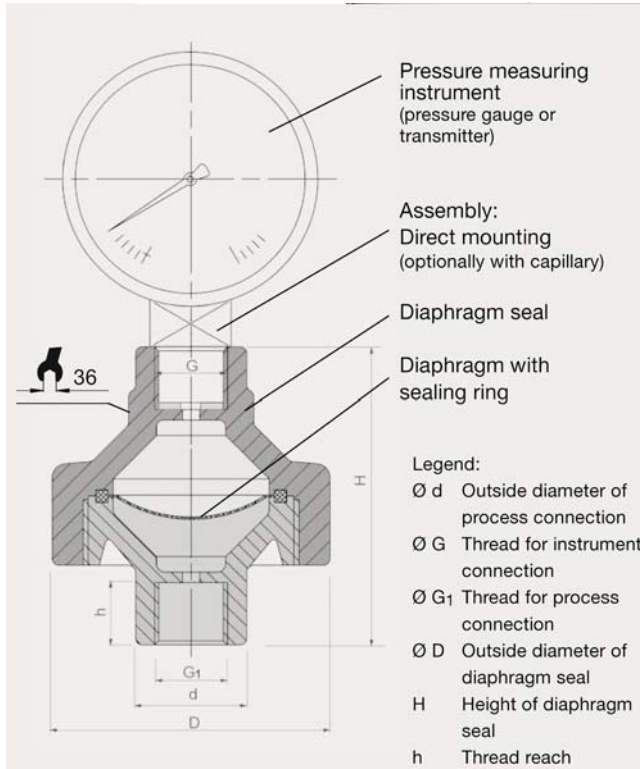
Features

- Available for ranges from 1 up to 10 bar.
- Fillable with shock absorbing liquid to avoid possible effects of dynamic loads as well vibrations.
- Totally made in plastic materials.
 - PP body with fiberglass.
 - PVC, PP o PVDF connection according to application.
- EPDM diaphragm, PTFE covered in the medium contact areas.
- Customizable according to customer requirements
- 1/2" BSPP or 1/2" NPT process connection

Applications

Combined with the 70100 and 7063 pressure gauges, and with the TP1000 pressure transmitters, the SPP series plastic chemical seals are used in chemical process and wastewater plants, in applications where fertilizers are used and in processes where aggressive fluids are used.

dimensions (mm)



Dimensions in mm						Weight in kg		
d	DN ¹⁾	G/G ₁	D	H ±1,5	h	PVC-U	PP	PVDF
25	20	¼"	80	86	18	0.25	0.18	0.31
32	25	½"	80	86	22	0.46	0.32	0.59

Technical data at 20°C

Instrument diameter
63 or 100 mm

Available ranges
0+1 bar ... 0 + 10 bar

Standard accuracy
± 1% E.O.S for DN 100 gauges
or 1,6 % for DN 63 gauges

Protection level
IP65

Process connection
G 1/2 (DIN 16288) or 1/2" NPT
36 mm flats

Welded version also available

NOTE: Maximum torque to be applied
for 1/2" thread: 15 Nm

Materials

Instrument connection
PP, Fiberglass reinforced, RAL 2004

Process connection
PVC -U, RAL 7011
PP: RAL 7032
PVDF

Membrane
EPDM, PTFE coated

Silicone shock absorbing silicone oil working temperature.
See enclosed diagram

Temperature influence on accuracy
Accuracy deviation = ± 0,4 x (t₂ - t₁) %
Where t₁ = reference temperature (20°C)
and t₂ the medium temperature

Accessories

Ask for our range of plastic built pipes and valves.

Pressure/temperature diagram

