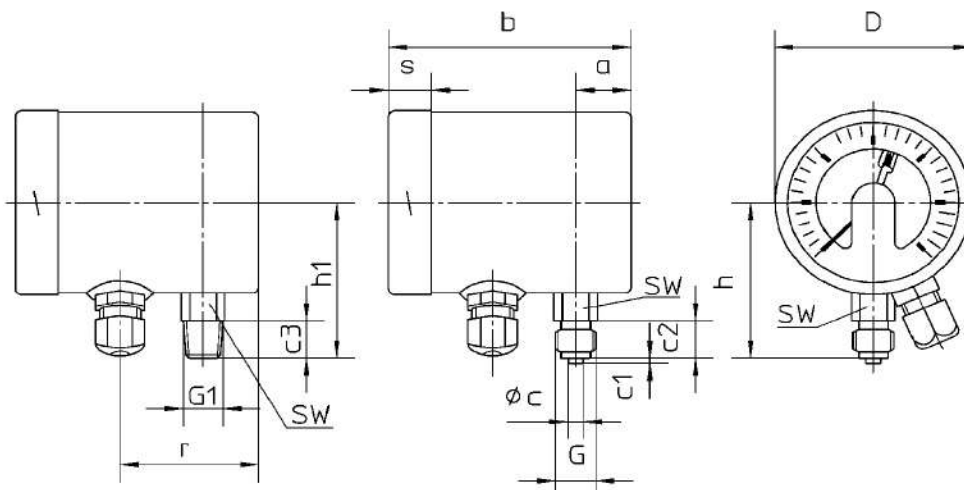
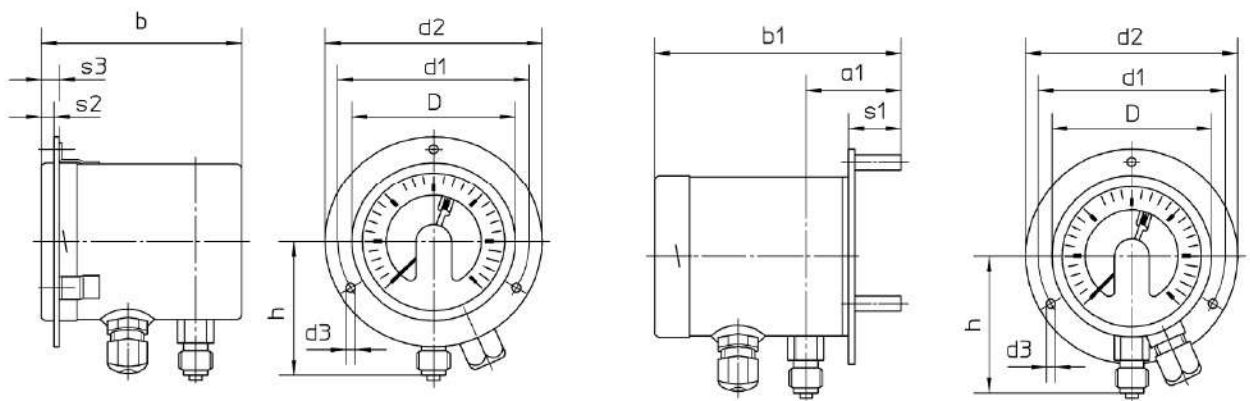
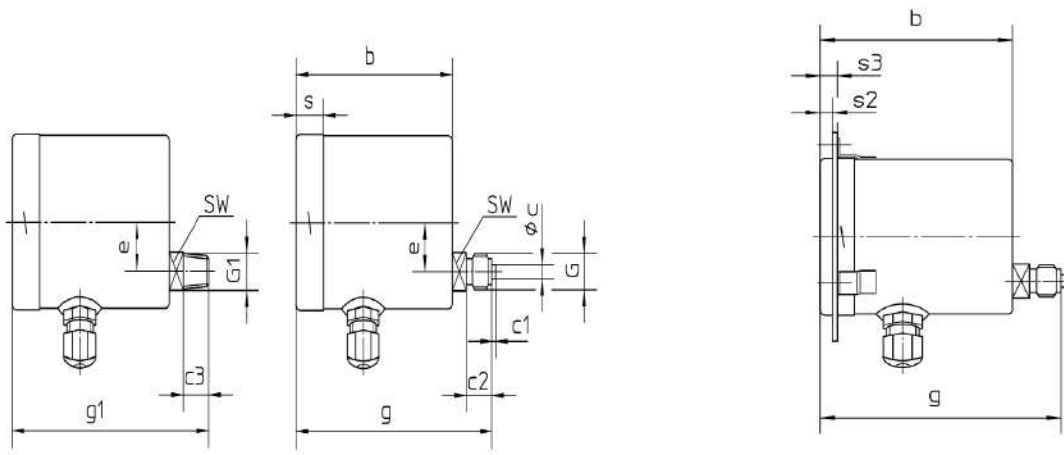


## PRESSURE GAUGE SAFETY EXECUTION TYPE SNK63 WITH MAGNETIC CONTACT

<b>Diameter:</b>	63 mm
<b>Accuracy:</b>	1,6 % to the full scale value (by 2-double contact 2,5 %)
<b>Execution:</b>	case with bayonet ring stainless steel, solid front between measuring system and dial with full blow-out safety back.
<b>Electronic limit switch:</b>	1-simple magnetic-limit-switch-contact, from 2,5 bar 2-double magnetic-limit-switch-contact, from 4 bar
<b>Electric connection:</b>	serially with 1 cable M12 x 1,5 lateral on the right bottom at the case
<b>Measuring system:</b>	stainless steel
<b>Dial:</b>	aluminium white, writing black
<b>Window:</b>	safety glass
<b>Connection:</b>	G 1/4, 1/4 NPT ...
<b>Connection position:</b>	bottom, backside excentric
<b>Options:</b>	- on request





NG	a	a1	b	b1	c	c1	c2	c3	D	d1	d2	d3	d4	e	G
63	18	38	79	99	5	2	13	13	64	75	86	3,6	M3	18	1/4
G1	g	g1	h	h1	r	s	s1	s2	s3	SW					
1/4 npt	99	99	54	54	45	14	21	5	7	14					

mass in mm

We reserve the right to change technical details.