

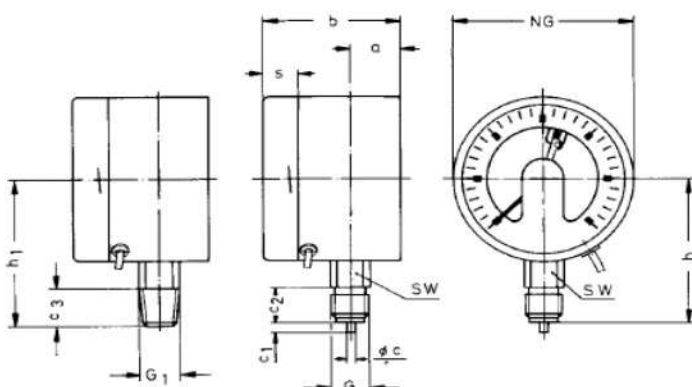
## PRESSURE GAUGES IN SAFETY EXECUTION TYPE SNK 63 WITH INDUCTIVE CONTACT

<b>Diameter:</b>	63 mm
<b>Accuracy:</b>	1,6 % to the full scale value
<b>Execution:</b>	case with bayonet ring stainless steel, solid front between measuring system and dial with full blow-out safety back.
<b>Electronic limit switch:</b>	1-fold inductive-limit-switch-contact, from 2,5 bar 2-fold inductive-limit-switch-contact, from 4 bar The inductive limit switches can be adjusted to any pressure value between minimum 2 % and maximum 90 % of full scale value.
<b>Electric connection:</b>	serially 0.5 m connection cable, 2 wires (dimensional drawing see reverse side)
<b>Measuring system:</b>	stainless steel
<b>Dial:</b>	aluminium white, writing black
<b>Window:</b>	safety glass
<b>Connection:</b>	G 1/4, 1/4 NPT ...
<b>Connection position:</b>	bottom, backside excentric
<b>Options:</b>	- on request

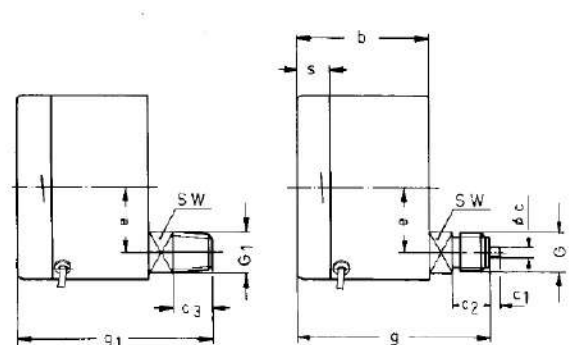


Case configurations, code letters, and dimensional data

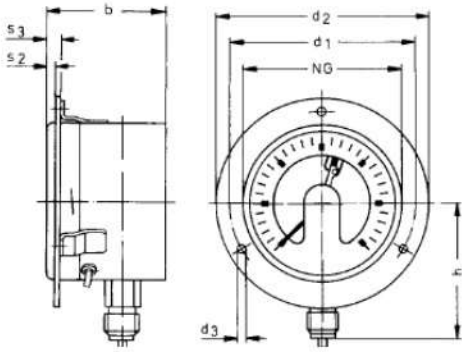
bottom connection



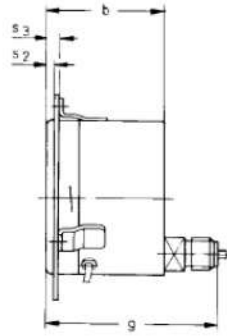
lower back connection



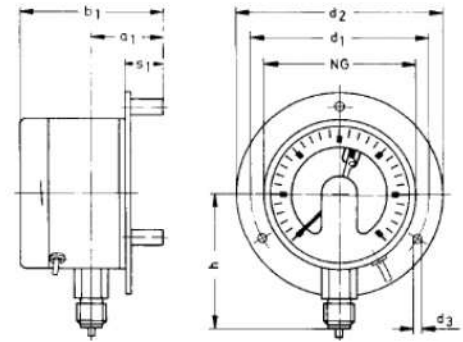
bottom connection  
front flange



lower back connection  
front flange



bottom connection  
rear flange



NG	a	a1	b	b1	c	c1	c2	c3	d1	d2	d3	d4
63	18	38	59	79	5	3	12	15	75	85	3,6	M3
e	G	G1	g	g1	h	h1	s	s1	s2	s3	SW	
18	1/4	1/4 npt	78	81	53	56	14	21	5	7	14	

mass in mm