

RUBINETTI "PORTAMANOMETRO" IN OTTONE serie : VALOT

Brass valves for gauges series : VALOT

Le valvole serie VALOT sono dei rubinetti in ottone, a due vie o a tre vie con flangetta di prova, con attacchi maschio femmina. Idonee quali portamanometri secondo la direttiva 97/23/CE Tabella 7, Art 3, comma 3.

The valve series VALOT are cock valve entirely in brass, two ways or three ways with test flange, with male - female connections . They are suitable for the pressure gauges in according with technical requirements of directive 97/23/CE, Table 7, Art 3, comma 3.

Materiale : Ottone

Attacchi : 1/4" - 3/8" - 1/2"

Tipologia attacchi : GAS maschio x femmina

PN : 10 / 16 / 25

Material : Brass

Connections : 1/4" - 3/8" - 1/2"

Connections type : BSPP male x female

PN : 10 / 16 / 25

1) Corpo / Body

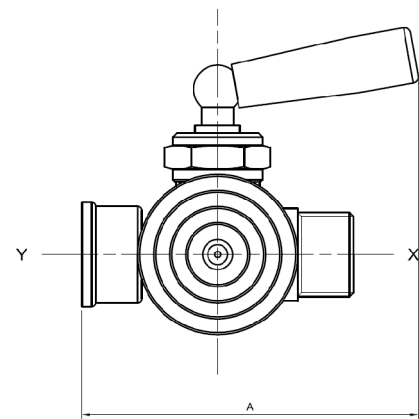
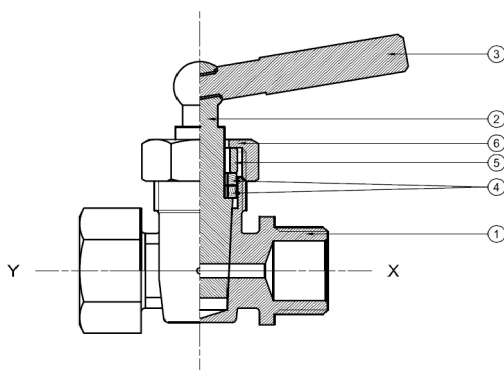
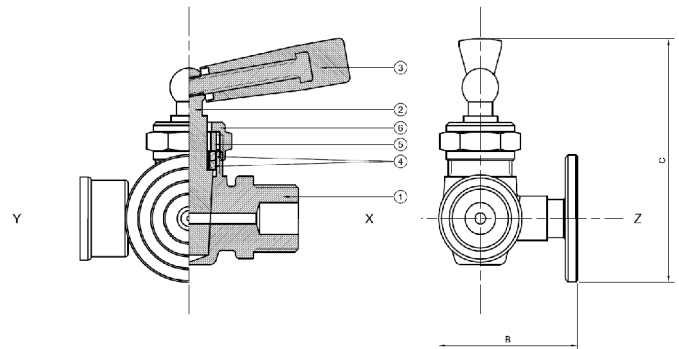
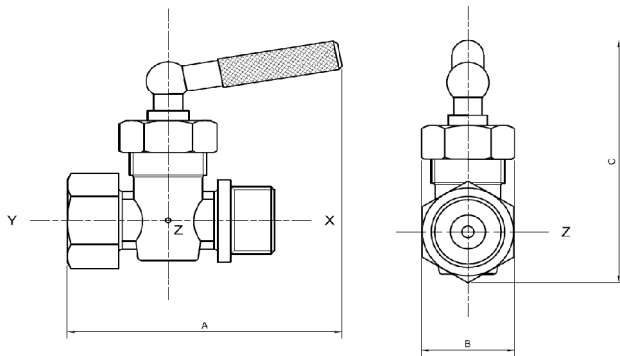
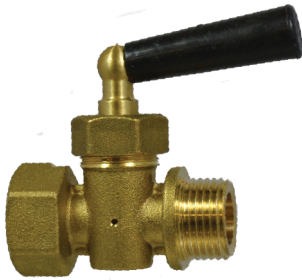
2) Attacco maschio / Male connection

3) Maniglia / Handle

4) Guarnizione / Gasket

5) Premistoppa / Gland

6) Calotta / Calotte



DUE VIE - TWO WAYS

TRE VIE - THREE WAYS

DN	A	B	C
1/4"	73 mm	27 mm	66,5 mm
3/8"	73 mm	27 mm	66,5 mm
1/2"	75 mm	27 mm	72 mm

DN	A	B	C
1/4"	78 mm	45,5 mm	77 mm
3/8"	78 mm	45,5 mm	77 mm
1/2"	84 mm	46 mm	77 mm