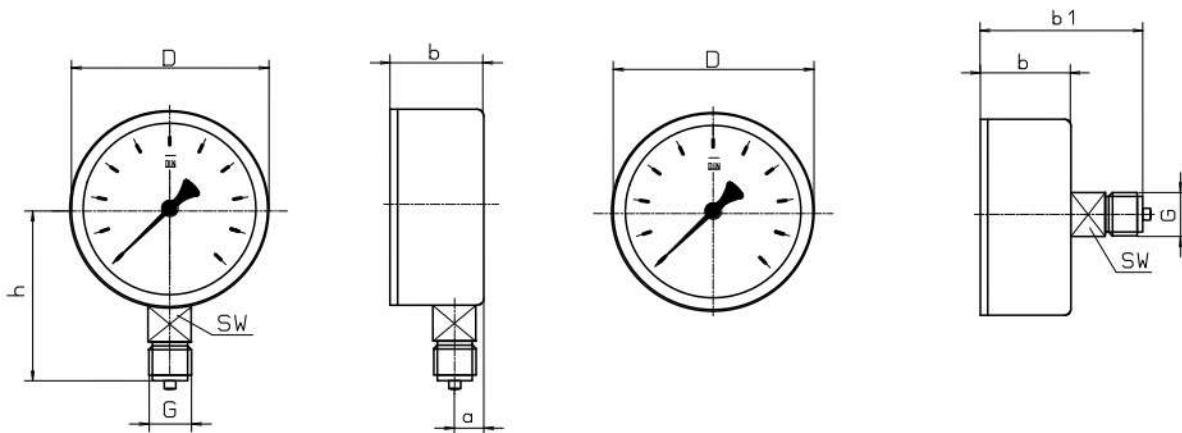


## PRESSURE GAUGE WELDING EXECUTION EN 562 TYP S 50.16 / S 63.16

<b>Diameter:</b>	50 mm ; 63 mm
<b>Accuracy:</b>	2,5 % to the full scale value
<b>Execution:</b>	steel case, zinc coated, brass coloured with blow out back plate
<b>Measuring system:</b>	copper alloy
<b>Dial:</b>	aluminium white, writing black
<b>Window:</b>	polycarbonate, snap- in window
<b>Connection:</b>	G 1/4 B, NPT, BSPT ...
<b>Connection position:</b>	bottom
<b>Options:</b>	<ul style="list-style-type: none"> <li>- connection made of stainless steel</li> <li>- case black coloured</li> <li>- deliverably with oxygen and blue point according to old Norm DIN 8549</li> </ul>



NG	D	b	h	G	a	b2
50	50	30	43	1/4	10,5	14
63	63	31	52	1/4	10,5	14

mass in mm